

Bolt Connected Square Pipe Type Fast-acting Fuse Links For Semiconductor protection



► Applications

This series of fuses are mainly used in circuits of AC 50Hz, rated voltage of 2000V and rated current of 2500A, to protect the semiconductor components and the whole unit from circuit short. (aR).

The breaking capacity of the fuses is up to 100KA.

The fuses are compliant with the IEC269-1/IEC269-4 and GB13539.1/GB13539.4 .

► Basic Data

The models, dimensions, ratings are shown in Figures 7.1~7.16 and Tables 7 .

► Design Features

The variable cross-section fuse element made from pure silver sheets are sealed in the melting tube made of high-density porcelain; The fuse tube is filled with chemically treated high-purity quarts as arc-extinguishing medium; The two ends of the melting body are connected to the (knife) contactor by dot welding; Both knife contactors and board contacts are available; A striker/indicator may be installed to the fuse link; When the fuse link breaks, signals are sent out in the case of an indicator, or the switch is pushed to cut the circuit in the case of a striker.

Table 7

Cat. No.	Models MIRO	Cross-reference	Rated voltage (V)	Rated current (A)	Dimensions/sizes (mm)								Weight (g)	
					Fig.	A	B	C	D	E	F	H		φd
0701	RS711B	NGT00 HLS00	380/800	32~160	7.1	50	77	100	29	27	2	42	11	198.5
0702	RGS30A	3NE87	660	10~100	7.1	50	77	98	21	20	2	42	9	122
0703	RGS30B	-	660	10~100	7.1	50	77	98	21	20	2	37	9	110
0704	RGS30C	RS0-250V	250	30~50	7.1	50	100	115	25	16	2	45	7	138
0705	RGS30C	RS0-500V RS3-500V	500	10~50	7.1	70	120	135	25	16	2	45	7	163

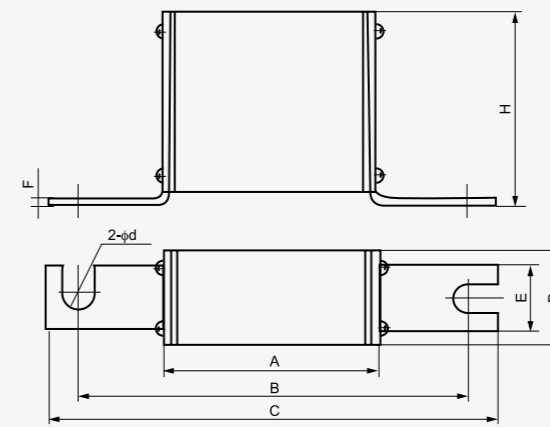


Figure 7.1

Table 7 (cont.)

Cat. No.	Models MIRO	Cross-reference	Rated voltage (V)	Rated current (A)	Dimensions/sizes (mm)								Weight (g)	
					Fig.	A	B	C	D	E	F	H		φd
0706	RGS36	RS0/RS3	250	32~200	7.2	52	100	120	40	20	2	48	9×12	277.5
0707	RGS32	RS0/RS3	250	63~250	7.2	55	100	125	48	29	3	50	11×17	400
0708	RGS33	RS0/RS3	250	80~400	7.2	55	100	130	58	30	3	60	11×17	542
0709	RGS34	RS0/RS3	250	160~630	7.2	59	100	135	67	40	5	72	14×20	950
0710	RGS36	RS0/RS3	500	320~200	7.2	72	120	140	40	20	2	48	9×12	336.5
0711	RGS32	RS0/RS3	500/750	63~250	7.2	75	120	145	48	29	3	50	11×17	482
0712	RGS33	RS0/RS3	500/750	80~400	7.2	75	120	150	58	30	3	60	11×17	670
0713	RGS34	RS0/RS3	500/750	160~630	7.2	79	120	155	67	40	5	72	14×20	1058
0714	RGS39	RS3	500/750	500~1000	7.2	79	145	185	86	50	5	90	18×28	1760

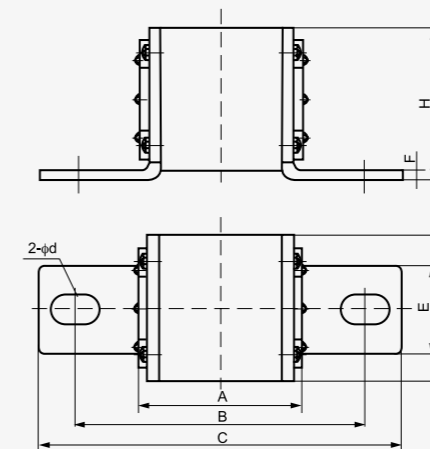


Figure 7.2

